



MCE-MRC 4G Low Power Remote Camera

- 4G / 3G / 2G
- Robust IP67 Case
- Low Power
- 2MP Image Sensor
- GPIO Connections
- Web enabled
- Internal Data Storage
- Day/Night Images
- MeteorCloud™ viewer
- Remote Configuration
- Real Time Images

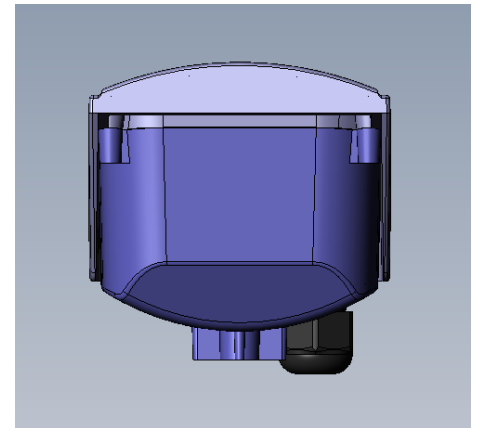
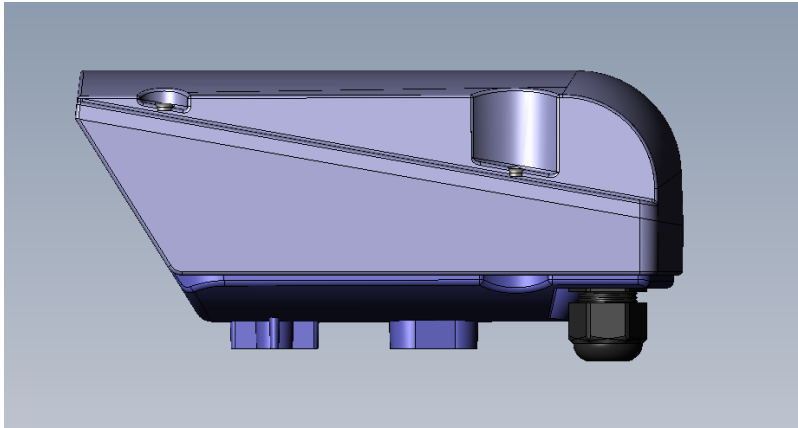
The MCE-MRC Remote Camera delivers high quality real time images from remote assets where data and mains power connections are not available. With ultra low power consumption, the camera can be powered from a remote solar power source all year round. Housed in an IP67 Polycarbonate housing the camera is designed to withstand harsh environments.

The camera has excellent low light performance, producing high quality Colour images by day and optimised for use with IR illuminators for clear, crisp black and white night vision. A selection of optics and filters can be specified to suit specific applications.

Images are transferred in real time via 4G, 3G or 2G, providing robust image transfer even from areas with poor mobile coverage. Camera configuration and firmware updates can be performed remotely.

Images are sent to the MeteorCloud™ secure web portal or can be integrated directly into existing applications using ftp or email. The camera GPIO allows direct connection of local sensors.

The camera can send pictures at regular, scheduled intervals, be setup to be triggered automatically to provide alert images and enter enhanced polling modes for high water levels / intrusion.



Camera Specification

Lens	M12 Board Mount, 3.6mm Standard (6mm, 12mm optional)
Resolution	2MP selectable up to 1600x1200
Image format	JPEG (adjustable compression)
Image storage	Internal memory card (32GB Max)
Input	Digital event triggering input
Zoom	Digital zoom 0-10 centralised
Image Transfer	FTP, email, MeteorCloud™ secure web portal
Configuration	SMS, email, Bluetooth (optional)

Global 4G/3G/2G Communications

Modem	LTE Module supporting LTE-TDD/LTE-FDD/HSPA+/GSM/GPRS/EDGE
Antenna	External SMA for cellular antenna, Internal diversity antenna

Physical Characteristics

Dimensions	180 x 80 x 85mm
Weight	200g
Operating Temperature	-30 to +60° C
Housing	Polycarbonate
IP Rating	IP67

Power

Operating Voltage	12V DC nominal (8-28V DC)
Operating Current	15mA average at 12V DC
Power Consumption	0.18W Average



FS 596313



Tel +44 1727 899 990

www.meteorcommunications.co.uk

enq@meteorcommunications.co.uk

Meteor Communications (Europe) Ltd, Orion House, Alban Park, St Albans, Herts, AL4 0JJ, United Kingdom